



Island or Peninsula Mounted Hoods – Install Quick Specs PPN Series Hoods - 30" Depth

Installation Type & Discharge Direction

Ceiling/Island – vertical discharge

Discharge Size off Hood Top

14" x 4 1/4" rectangular

Discharge Transition – purchased separately

See "Ventilation" section for options

Standard Features

- 304 Series, 18 gauge stainless steel
- Halogen lighting (dual 50 watt lamps 36" and 42" widths/four 50 watt lamps 54" width – with Hi/Lo setting)
- Dishwasher safe, heavy aluminum mesh filters
- Adjustable canopy extension for 8' to 10' ceilings **comes standard** with hood
- NOTE: Hood can be installed with or without canopy extension(s).
- All Stainless Steel Finish Hoods can be installed Indoors or Outdoors (see Installation Instructions)
- Widths: 36", 42" and 54"

Finishes

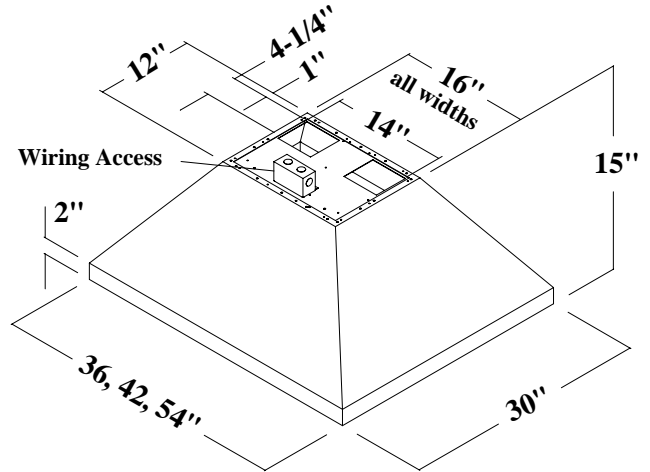
- Stainless Steel (S), White (W)

Optional Accessories

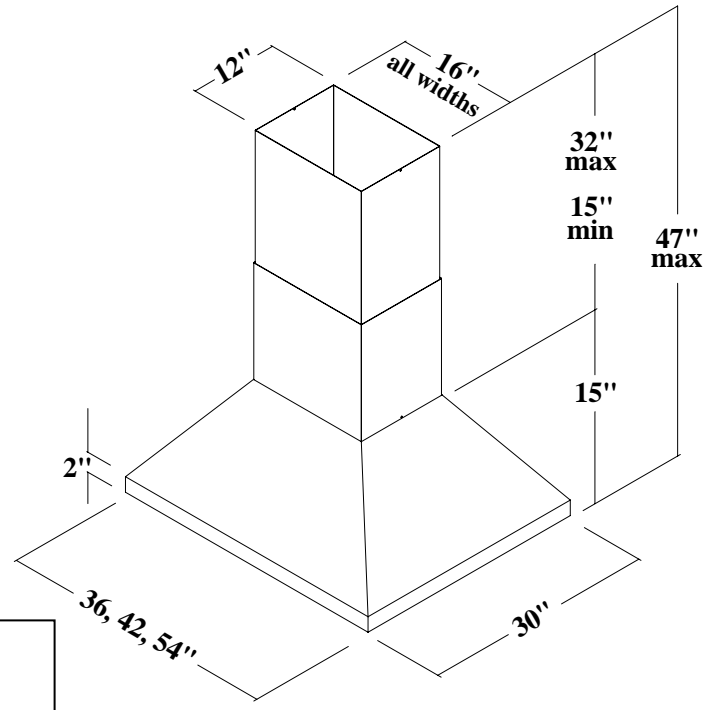
- Chrome or Brass Rolled Pot Rails (Model(s): ACCBRC or ACCBRB) – *indoor use only*

Hood Carton Weight:

PPN36 = 130 lbs.
PPN42 = 135 lbs.
PPN54 = 142 lbs.



PPN Hood



PPN Hood with Extension



**Island or Peninsula Mounted Hoods – Install Quick Specs
PPN Series Hoods - 30” Depth (cont.)**

Maximum Power Supply Required*

15 Amps @ 120 V AC, 60 Hz
 20 Amps @ 120 V AC, 60 Hz (when used with
 VEN150E remote ventilator)

**Electrical rating is maximum required for any
 combination of ventilator and lighting.*

Outdoor Electrical Requirements

Damp outdoor installations require a fault
 interrupter circuit connection.

Hood Lighting Rating

- 36” and 42” widths: 100 watts w/halogen
 lights.
- 54” width: 200 watts w/halogen lights

Ventilator Options

640 CFM, Internal Blower: VEN060I
 1000 CFM, Remote Blower: VEN100E
 1500 CFM, Remote Blower: VEN150E

Ventilator Motor Ratings

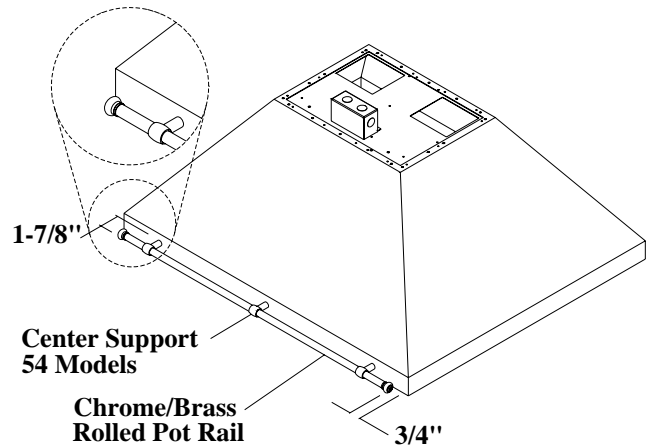
VEN060I: 2.8 Amps @ 120 V AC, 60 Hz
 VEN100E: 8 Amps @ 120 V AC, 60 Hz
 VEN150E: 12 Amps @ 120 V AC, 60 Hz

**Ventilator Dimensions & Accessory
 Transitions (see Ventilator section)**

CUSTOMER SPECIFICATION:

Hood Width Specified & finish:
 (e.g.PPN36S)

Accessories Selected: (e.g. Chrome or brass
 rails)



Final Hood Model Selected:

Add Any Accessories:

Specify Ventilator Selected & Transitions:
